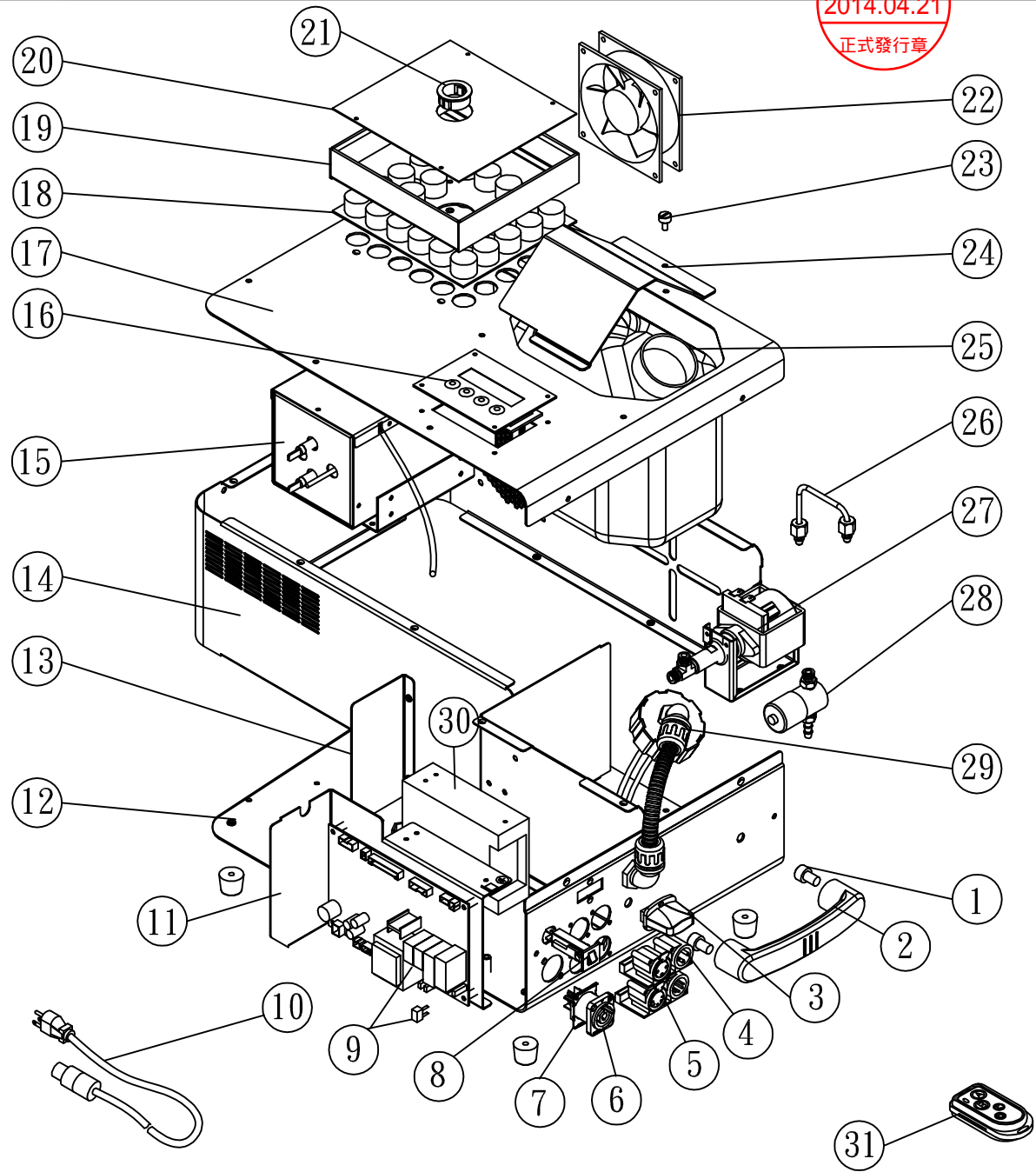


文管中心
2014.04.21
正式發行章



SPARE PARTS OF Z-1520(120V)

① C01013000	M8x12L Screw	⑭ Z152A0600	Steel Case/Middle	⑳ Z-1520-P	Pump (Group)
② C02014300	Handle	⑮ Z-1520-H	Heater	㉑ Z-1520-LUS	Solenoid Valve
③ W-2RA	Wireless Receiver	⑯ Z-1520-PCBC	Control P.C Board	㉒ Z-1520-TKC	Tank Cap
④ Z-1520-PCBD3	P.C Board DMX 3Pin	⑰ Z152A0H00	Steel Case/Cover	㉓ Z-1520-POW	LED Power Supply
⑤ Z-1520-PCBD5	P.C Board DMX 5Pin	⑱ Z-1520-LED	LED (Group)	㉔ W-2A	Wireless Controller
⑥ C04312600	Power Inlet	⑲ Z15200800	LED Cover		
⑦ C00070200	Fixed	⑳ C02012100	LED Protect		
⑧ C04101400	Breaker	㉑ D04012000	Snap Bushing		
⑨ Z-1520-PCB	Main P.C Board	㉒ Z-1520-FAN	Fan		
⑩ Z-1520-PC	Power Cord & Plug	㉓ C01001000	Thumb Screws		
⑪ Z15200500	PCB Bracke	㉔ W71500301-RGB	Tank Cover		
⑫ Z152A0L00	Steel Case/Base	㉕ Z-1520-TK	Tank		
⑬ Z15201100	Solenoid Valve Cover	㉖ Z-1520-CP	Brass Tube		



Antari Lighting And Effects Ltd.

育安照明企業股份有限公司

DwgNo. IP-1500-20130103(230V) By Gary.

版次 01